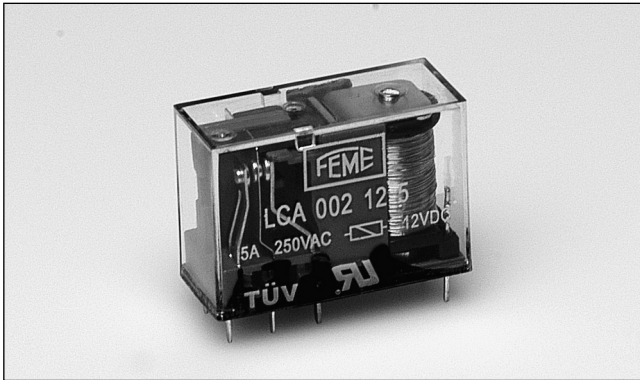


Miniature Relays Series LC

Type LC A - 2 poles 5 A

Monostable

CARLO GAVAZZI



- Miniature size 20 mm
- PCB mounting
- 5 kV / 8 mm insulation
- Switching capacity 5 A / 250 VAC
- General purpose, industrial electronics
- Low coil power consumption
- Sealed

Product Description

Miniature PCB power relay.
Low Profile Execution.

Ordering Key

LC A 002 24 05

Type _____
Version _____
Contact code _____
Coil rated voltage _____
VDC=Direct voltage _____
Contact rating _____

Version

A = Ag CdO Footprint 5 mm (Standard)
S = Ag SnO Footprint 5 mm

Approvals



Type selection

Contact configuration	Contact rating	Contact code
2 change over contacts (DPDT-CO [2-form C])	5 A	002
2 normally open contacts (DPST-NO [2-form A])	5 A	200

Coil Data, DC (20°C)

Rated voltage VDC	Winding resistance $\Omega \pm 10\%$	Operating range		Drop-out voltage (must release) VDC	Rated power consumption mW
		Pick-up voltage VDC	max VDC		
3	17	2.4	3.9	0.15	540
5	46	4.0	6.5	0.25	540
6	67	4.8	7.8	0.3	540
9	150	7.2	11.7	0.45	540
12	270	9.6	15.6	0.6	540
24	1050	19.2	31.2	1.2	540
48	4250	38.4	64.4	2.4	540

Contact Characteristics

Material	Ag CdO	Power	
Current		Max. switching power (with resistive load)	4000 VA
Rated switching current with resistive load	5 A	Min. switching current (typical value)	100 mA at 24 V
Voltage		Electrical life	
Rated voltage	250 VAC / 30 VDC	250 VAC - 5 A - $\cos\phi$ 1	1x10⁵ ops.
Initial contact resistance	Ag CdO-100mΩ (1A 6VDC)	Mechanical life	1x10⁷ ops.

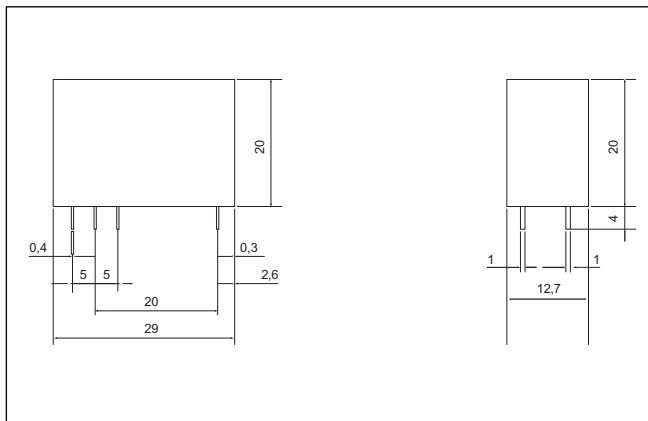
Insulation

Test voltage (1 min.) Open contacts Coil/contacts - ground Contacts of different polarity	1000 VAC 5000 VAC 2500 VAC
Shock resistance Operating extremes Damage Limits	10 G 100 G
Insulation resistance 500 VDC	>100 MΩ

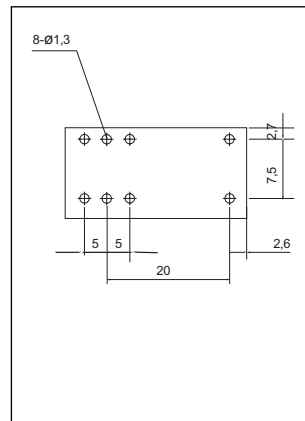
General Data

Operating time at rated voltage	20 ms
Release time	10 ms
Ambient temperature (at rated voltage)	-40°C a + 85 °C
Inside protection (IEC 144)	IP67
Working class type of service	C/Continuous
Soldering bath temperature	260 °C max.
Soldering time	5 s max.
Weight	14 g ~

Dimensions



Pin View



Wiring Diagrams

